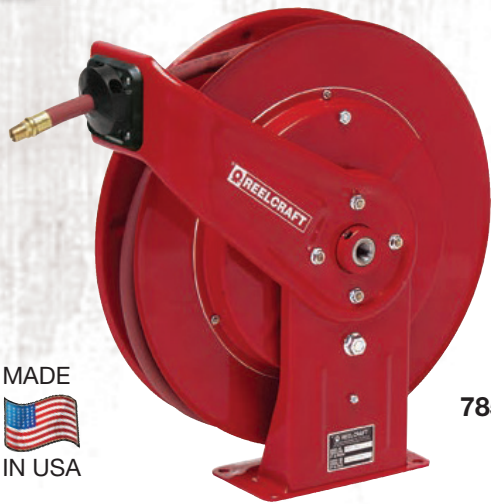


REELCRAFT 7000 SERIES



MADE
IN USA

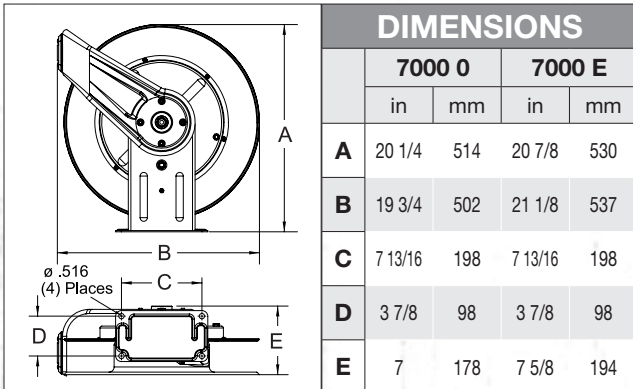
7850 OLP

REELCRAFT®

Heavy Duty Spring Retractable Hose Reels

Air/Water/Oil/Grease - 1/4", 3/8", 1/2", 3/4" I.D.

Series 7000 is very robust and ideal for the most demanding applications. The reel's base and guide arm are formed from highgrade steel and engineered with structural forms and gussets to yield the greatest amount of strength. The standard low pressure hose is for air or water service only. The basic reel without hose can be used for air, water or oil. Consult Reelcraft for other products and hoses. Guide arm adjusts to 3 positions.



For all metric thread connections over 1/2" add the suffix number 70 to indicate BSPT threads - example 7900 OLP70.

Applications:

- Industrial
- Automotive Service Centers
- Transmission Shops
- Fleet Maintenance Facilities
- Pneumatic Tools
- Aircraft Maintenance
- Tire Stores
- Agriculture
- Service Trucks
- Wash Down

	Shipping Weight		Hose I.D.		Hose O.D.		Hose Length		** Max Pressure		(M) NPTF Hose Outlet	(F) NPTF Reel Inlet
	lbs	kg	in	mm	in	mm	ft	m	psi	bar	in	in
Low Pressure Air/Water Reels Maximum Temperature 150 F (65 C) ** Maximum working pressure at 70 F (20 C)												
7650 OLP	43	20	3/8	10	.600	15	50	15	300	21	1/4	1/2
7670 OLP	47	21	3/8	10	.600	15	70	22	300	21	1/4	1/2
7850 OLP	47	21	1/2	13	.750	19	50	15	300	21	3/8	1/2
7850 OLP121	47	21	1/2	13	.750	19	50	15	300	21	1/2	1/2
7850 OLPSW57	47	21	1/2	13	.750	19	50	15	300	21	3/4 NH	1/2
7925 OLP	47	21	3/4	19	1.075	27	25	8	250	17	3/4	3/4
F7925 OLP*	47	21	3/4	19	1.075	27	25	8	50	3	3/4	3/4

AVAILABLE OPTIONS

Mounting Brackets



Inlet Hose Assemblies



Replacement Bumpers



Replacement Hoses



Version 04.01.16